

OC35-PWM

Transmitter

For PWM Signals

Owner's Manual

ORBIT CONTROLS AG
Zürcherstrasse 137
CH-8952 Schlieren/ZH
Tel: + 41 44 730 2753
Fax: + 41 44 730 2783

info@orbitcontrols.ch
www.orbitcontrols.ch

Vor dem Einschalten

Überzeugen Sie sich, ob Ihre Sendung das richtige Gerät Orbit Controls Modell OC 35-PWM beinhaltet, einschliesslich einer Betriebsanleitung OC 35-PWM.

Vor dem Einschalten des Gerätes überprüfen Sie die Anschlüsse und die Versorgungsspannung. Ein falsch angeschlossenes Gerät kann beschädigt werden und damit auch die mitverbundene Folgeelektronik. Für falsche Handhabung wird jede Haftung abgelehnt.

ZU BEACHTEN

Dieses Gerät wurde sorgfältig verpackt. Falls es bei Ihnen in beschädigtem Zustand eintrifft, benachrichtigen Sie unverzüglich den Orbit Controls Kundendienst (Tel: +41 44 730 2753 oder Fax: +41 44 730 2783) und nehmen Sie einen Schadenrapport auf, welchen Sie auch von der Transportgesellschaft unterschreiben lassen. Bewahren Sie bitte das Verpackungsmaterial für eventuelle Reklamationen auf.

Unpacking Instructions

Remove the Packing List and verify that you have received all equipment, including the following:
Orbit Controls Model OC 35-PWM.

Owner's Manual OC 35-PWM.

If you have any questions about the shipment, please call the Orbit Controls Customer Service Department.

NOTE

When you receive the shipment, inspect the container and equipment for signs of damage. Note any evidence of rough handling in transit. Immediately report any damage to the Orbit Controls customer service, Phone +4144 730 2753 or Fax +4144 730 2783 and to the shipping agent.

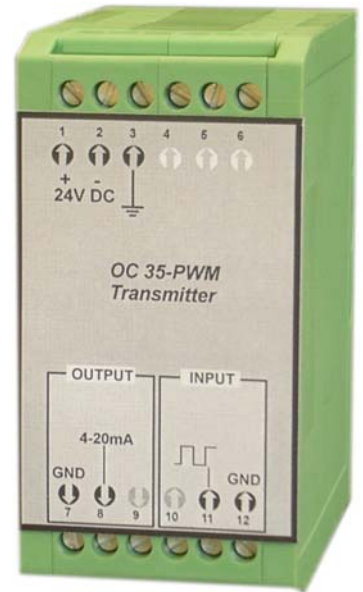
The carrier will not honour damage claims unless all shipping material is saved for inspection. After examining and removing contents, save packing material and carton in event the reshipment is necessary.



Transmitter for PWM Signals OC 35 - PWM

- ✓ Inputs for Pulse Width Modulated Signals
- ✓ Analogue Output 4-20mA or 0-10V
- ✓ Accuracy $\pm 0.1\%$
- ✓ Frequency independent measurements
- ✓ Amplitude independent measurements
- ✓ Supply 230V AC or 24 V DC
- ✓ For DIN-35 mm Rails

OC35-PWM is a transmitter for pulse-width modulated rectangular signals. The signal width pulse width variations between 0 and 100% generate a linear analogue output signal of 4-20mA or 0-10V.

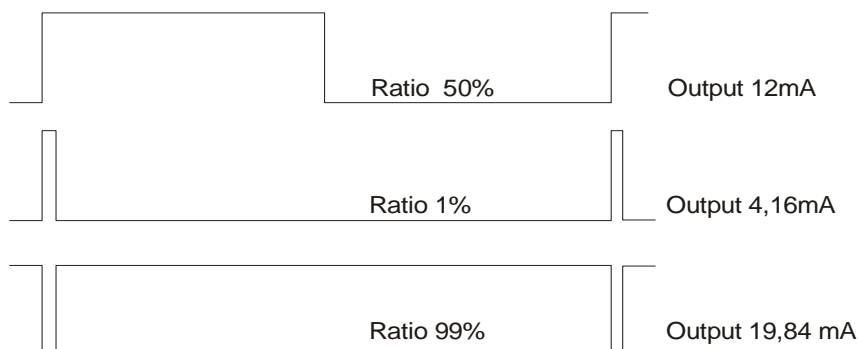


The conversion is independent from the frequency and the amplitude of the input signal. The achieved accuracy is better than 0.1%.

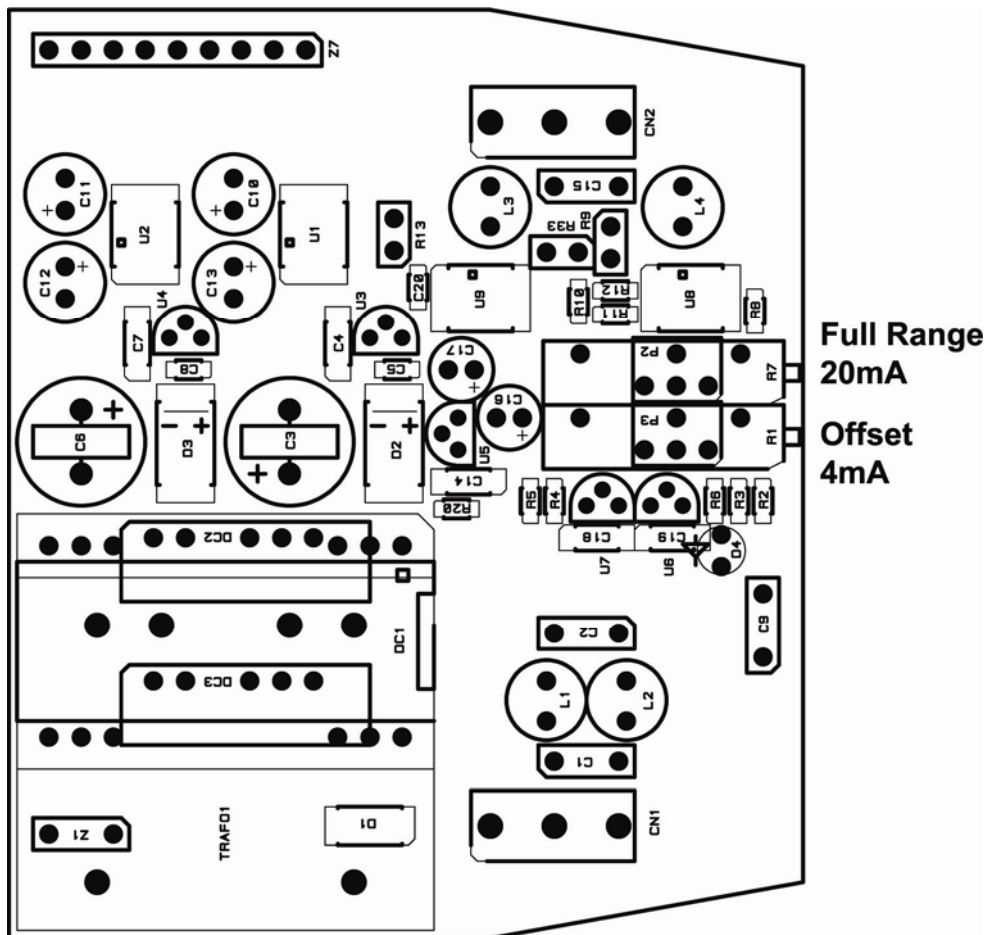
The transmitter is supplied from the mains or from DC voltage and is suitable for using on DIN 35mm rails.

SPECIFICATIONS

- Input: Positive rectangular signal 2.5V to 24V with ratio of 0 to 100%.
Input Impedance 10kOhm.
Frequency range 10Hz to 2000Hz.
- Accuracy: $\pm 0.1\%$ from value.
- Output: 4-20mA or 0-10V isolated by 250V R.M.S.
- Tempco: Temperature coefficient ± 25 ppm / K.
- Adjustment: Potentiometers OFFSET and RANGE for 4mA and 20mA.
- Supply: Standard: 230V $\pm 10\%$, 48 - 60Hz, 2VA.
Option DC: 24V DC $\pm 10\%$, 2W



OFFSET and RANGE SETTINGS



Potentiometers Offset (4mA) and Full Scale (20mA) are adjustable from inside the instrument. Optionally they can be adjusted from the front.

RECOMMENDED GROUNDING

IMMUNITY

E.U.T.: OC35-PWM
Serial Nr.: 291123
Supply: 24VDC
Input: 500Hz, 0 -100%
Output: 4 - 20mA isolated

Technician: A. Moncada Zürich, 23.11.2009

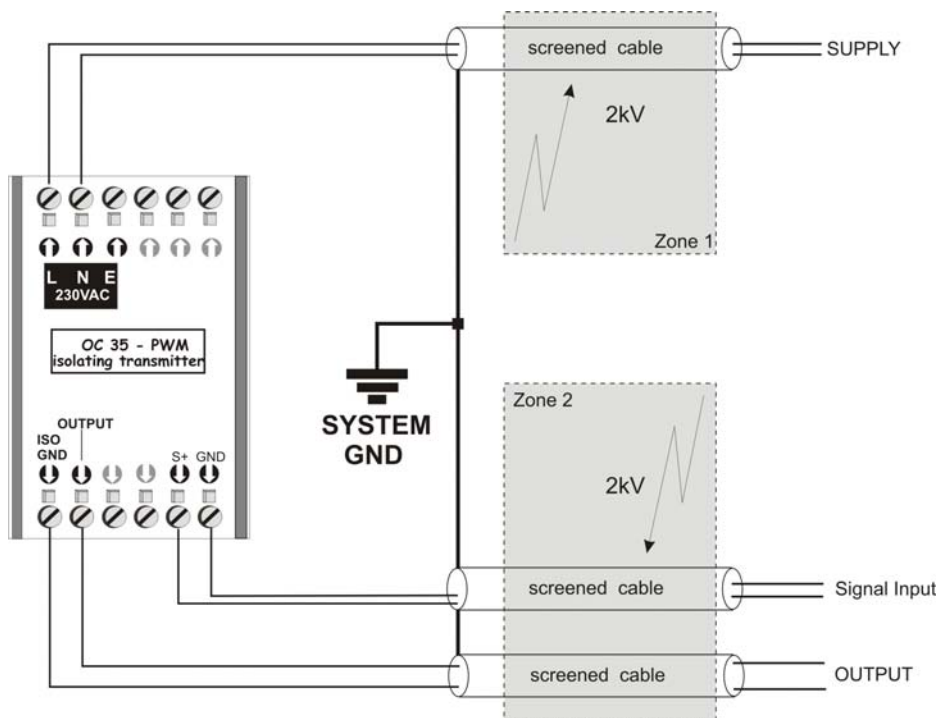
TESTER

HILO CE Tester

CE-NORMS

IEC 1000-4-4
EN 50052-1

TEST SET - UP



TEST RESULTS

With a standardized burst of 2kV into the Supply (Zone 1) or into the Input Signal (Zone 2) remains the output signal within the stated specifications.