

OC35R-DAY Resistance - Transmitter

Owner's Manual

ORBIT CONTROLS AG

Zürcherstrasse 137
CH-8952 Schlieren/ZH

Tel: +41 1 730 2753

Fax: +41 1 730 2783

info@orbitcontrols.ch
www.orbitcontrols.ch

Vor dem Einschalten

Überzeugen Sie sich, ob Ihre Sendung das richtige Gerät Orbit Controls Modell OC 35-W beinhaltet, einschliesslich einer Betriebsanleitung OC 35-W

Vor dem Einschalten des Gerätes überprüfen Sie die Anschlüsse und die Versorgungsspannung. Ein falsch angeschlossenes Gerät kann beschädigt werden und damit auch die mitverbundene Folgeelektronik. Für falsche Handhabung wird jede Haftung abgelehnt.

ZU BEACHTEN

Dieses Gerät wurde sorgfältig verpackt. Falls es bei Ihnen in beschädigtem Zustand eintrifft, benachrichtigen Sie unverzüglich den Orbit Controls Kundendienst (Tel: +41 1 730 2753 oder Fax: +41 1 730 2783) und nehmen Sie einen Schadenrapport auf, welchen Sie auch von der Transportgesellschaft unterschreiben lassen. Bewahren Sie bitte das Verpackungsmaterial für eventuelle Reklamationen auf.

Unpacking Instructions

Remove the Packing List and verify that you have received all equipment, including the following:

Orbit Controls Model OC 35-W.

Operator's Manual OC 35-W.

If you have any questions about the shipment, please call the Orbit Controls Customer Service Department.

NOTE

When you receive the shipment, inspect the container and equipment for signs of damage. Note any evidence of rough handling in transit. Immediately report any damage to the Orbit Controls customer service, Phone +411 730 2753 or Fax +411 730 2783 and to the shipping agent.

The carrier will not honour damage claims unless all shipping material is saved for inspection. After examining and removing contents, save packing material and carton in event the reshipment is necessary.

- ✓ Two - or Three Wire Connection
- ✓ Two independent Outputs
Current Output 4-20mA
Voltage Output 0-10V
- ✓ Fast Response Time
- ✓ For 35 mm DIN - Rail
- ✓ 24V DC Supply

OC35R-DAY is a Transmitter for connecting to unknown Resistors in two or three wire connection. The measured resistance is converted into 0/4-20mA and 0-10V.

The Transmitter is of high accuracy and stability and is supplied from 24VDC. It is designed for mounting at 35mm DIN rails.

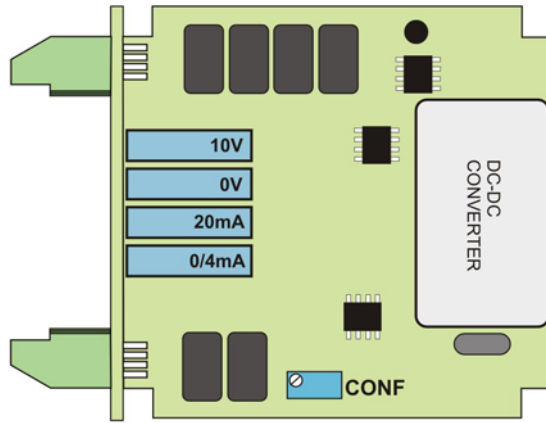
Apart standard ranges also customized ranges are available upon demand and order such as e.g. 0-25k Ω correspond to the outputs of 0-10V and 4-20mA. The both outputs are generated simultaneously.



SPECIFICATIONS

Input:	Resistive Impedance
Ranges:	100 Ω , Measuring Current 1mA 1 k Ω , Measuring Current 1mA 10 k Ω , Measuring Current 0.1mA 100 k Ω , Measuring Current 0.05mA 1 M Ω , Measuring Current 0.01mA Customized ranges are available.
Terminals:	Two or Three Wire connections
Outputs:	0 - 10V, maximum load >10 k Ω . 0/4 - 20mA, Shunt <270 Ω .
Tempco:	50ppm/ $^{\circ}$ C.
Accuracy:	\pm 0.1% from Range.
Supply:	18-36V DC , 2W.
Case:	For 35mm DIN rails. Dimensions: 25 x 60 x 70 mm, weight 75 g.
Terminals:	Screw terminals

CALIBRATION



Calibration Steps

The Transmitter has been calibrated at the factory. If re-calibration is required, following steps have to be performed:

1. Place the resistance from the calibrator which represents 0V and 0/4mA.
2. Adjust the potentiometer **0V** for the output of 0V.
3. Place the resistance from the calibrator which represents 10V and 20mA.
4. Adjust the potentiometer **10V** for the output of 10V.
Adjust the potentiometer **20mA** for the output of 20mA.
5. The correct setting of the potentiometer **CONF** assures the equal output current 0/4-20mA for different loads. Resistor of 270 Ohms will be used in serial with the current output while the current conformity is calibrated. The potentiometer has to be set such that the output current remains the same for the output with or without the serial resistor.

Repeat the calibration steps until the output values are as requested.

RECOMMENDED CONNECTIONS

IMMUNITY TEST

E.U.T.: OC35R-DAY
 Serial Nr: 200329
 Supply: 24V DC
 Input: 100kOhm two wire
 Output: 4 - 20 mA isolated

TESTER

HILO CE Tester

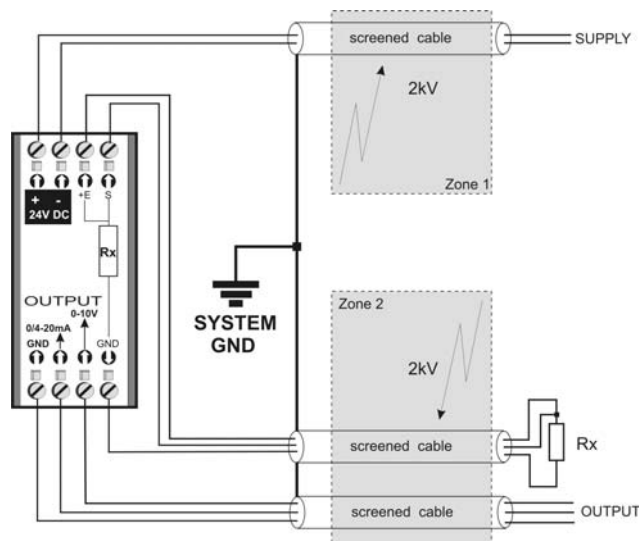
Technician: S. Batinic.

CE-NORMS

IEC 801 - 4
 IEC 1000-4-4
 EN 50052-1

Zürich, 23.3.2000

TEST SET - UP



TEST RESULTS

With standardized burst of 2kV into the supply (Zone 1) or into the input signal (Zone 2) the output signals remain within the specified tolerances of $\pm 0,1\%$.